

Flame Resistance (Equivalent to UL-94 standard V-0)

FR One-touch Fittings Manifold

Series *KRM*

Compact piping possible
Manifold piping possible
Many varieties (8 styles)
available
One-touch mounting



Model

Model	Porting		Number of Port A	Port A size	Port B size
	Port A	Port B		Port A size	Port B size
KRM11	One-touch fitting	One-touch fitting	6, 10	ø6 tube	ø10 tube
				ø8 tube	ø12 tube
KRM12	One-touch fitting	Rc(PT) female thread	6, 10	ø6 tube	Rc(PT) 1/4
				ø8 tube	Rc(PT) 3/8

Applicable Tubing

Tube material	FR double layer, FR soft nylon
Tube O.D.	ø6, ø8, ø10, ø12

Specifications

Model	KRM11	KRM12
Operating fluid	Air, Water (1)	
Max. operating pressure	1.0MPa	
Proof pressure	3.0MPa	
Ambient and fluid temperature	-5 to 60°C (Water: 0 to 60°C) (No freezing)	
Thread	—	JIS B0203 (Taper pipe thread)
Accessories	—	Hexagon socket head blank plug with sealant: 1pc.

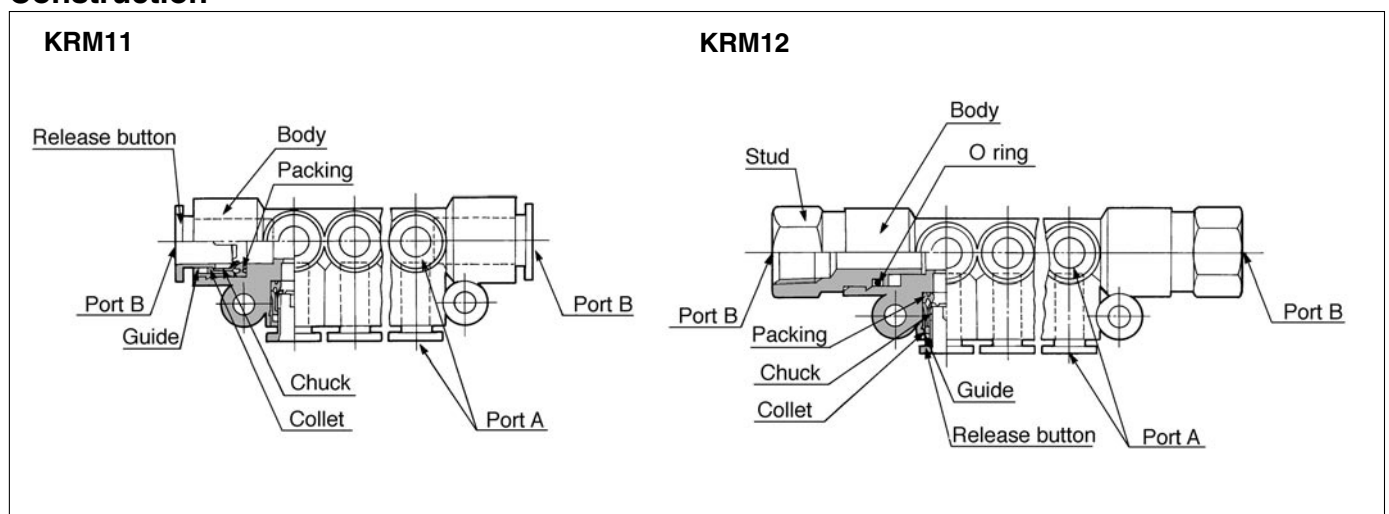


Note1) Applicable for general industry water. Consult SMC if using for other kinds of fluid.
Surge pressure must be under the max. operating pressure.

Component Materials

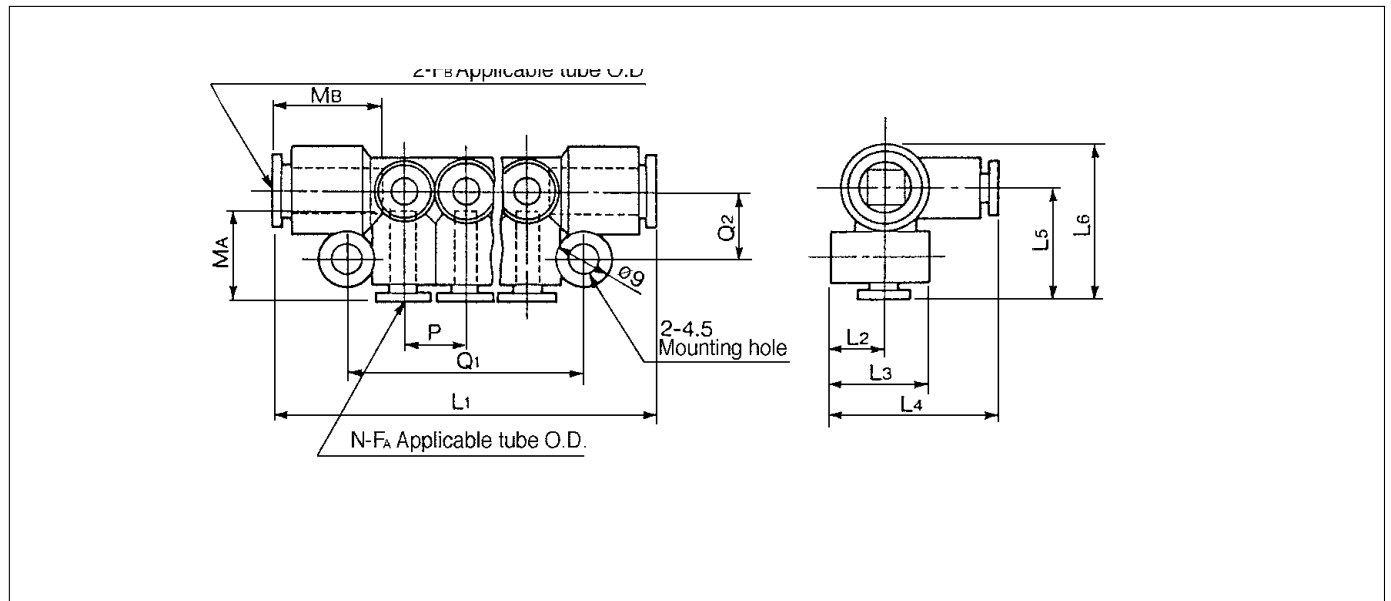
Body	Flame resistance PBT (UL-94 standard V-0)	
Stud	—	C3604BD
Chuck	Stainless steel (SUS304)	
Guide	SUS304, C3604BD	
Collet	Polyacetal (POM)	
Packing	NBR	
Release button	Flame resistance PBT (UL-94 standard V-0)	
Cover	Flame resistance CR (UL-94 standard V-0)	

Construction



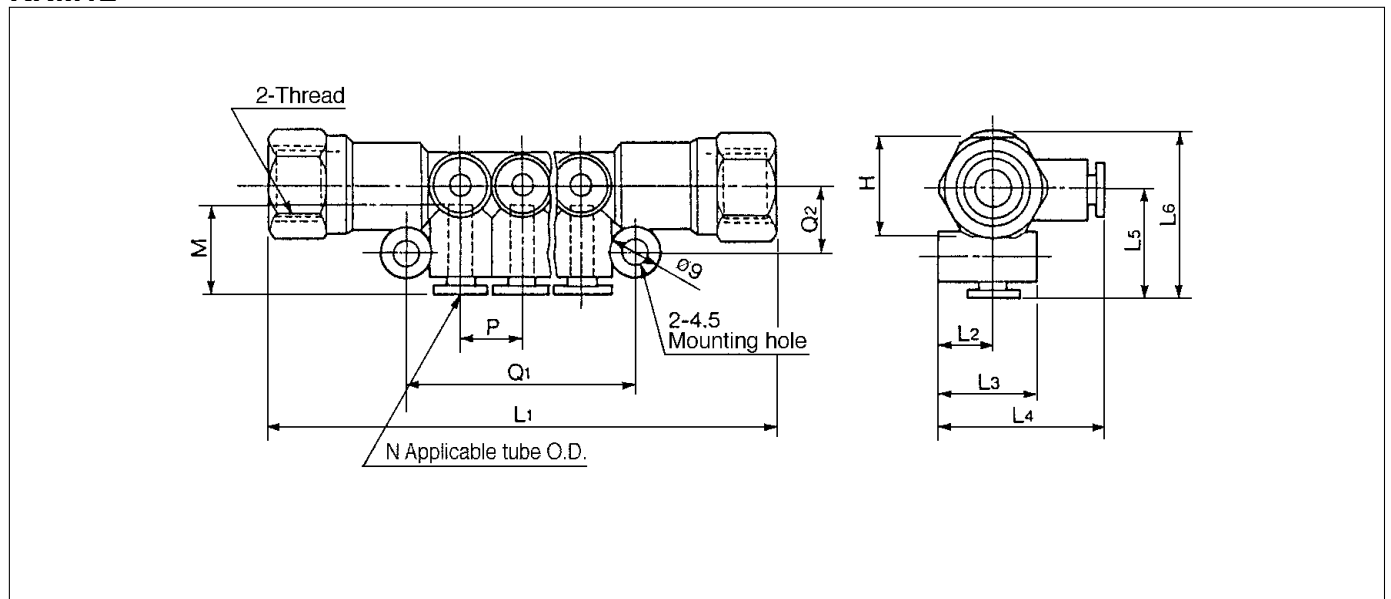
FR One-touch Fittings Manifold *Series KRM*

KRM11



Tube O.D. (mm)		Part No.	N	L1	L2	L3	L4	L5	L6	P	Q1	Q2	MA	MB	Port B min. port size	Weight (g)
FA	FB															
6	10	KRM11-06-10-6	6	76	10	19.5	31.5	21.5	31	13	47	13.5	17	21	7.5	29
		KRM11-06-10-10	10	102							73					39
8	12	KRM11-08-12-6	6	85	11.5	22.5	35.5	24	34.5	15.5	55	14.7	18.5	22	9	41
		KRM11-08-12-10	10	116							86					57

KRM12



Tube O.D.(mm)	Thread Rc(PT)	Part No.	N	H (Hex.)	L1	L2	L3	L4	L5	L6	P	Q1	Q2	M	Port B min. port size	Weight (g)
6	1/4															
		KRM12-06-02-10	10	125	73	91										
8	3/8	KRM12-08-03-6	6	19	108	11.5	22.5	35.5	24	34.5	15.5	55	14.7	18.5	9	97
			KRM12-08-03-10		10							139				86

Spatter cover 3: KRMC (Applicable: FR soft nylon)

Tube O.D.(mm)	N	Part No.	L	A	Weight (g)
6	6	KRMC-06-6	40.5	7	2.5
	10	KRMC-06-10	66.5	7	4
8	6	KRMC-08-6	48	8	3
	10	KRMC-08-10	79	8	4.5

Refer to p.7-122 for spatter cover 1 and 2.

