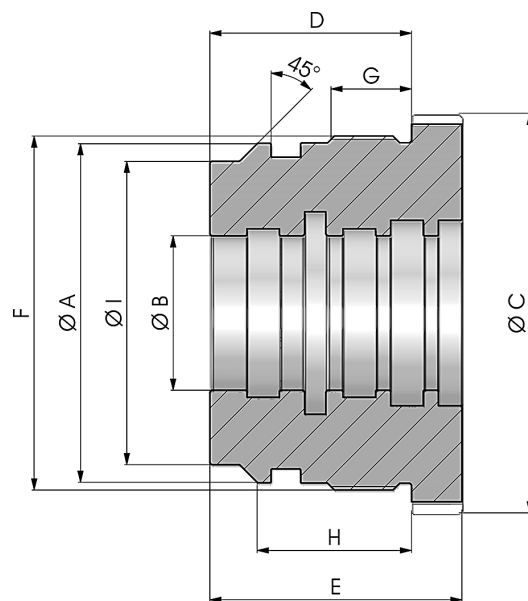


PORCA C/ GUIAS



CÓD.	A	B	C	D	E	F	G	H	I	Kg
66.PG050030065	50	30	64	45	55	M54X1.5	22	38	45	0,52
66.PG050035065	50	35	64	45	55	M54X1.5	22	38	45	0,39
66.PG060035075	60	35	74	48	60	M64X1.5	22	38	52	0,86
66.PG060040075	60	40	74	48	60	M64X1.5	22	38	52	0,69
66.PG063040078	63	40	78	50	65	M68X1.5	22	40	53	0,92
66.PG063045078	63	45	78	50	65	M68X1.5	22	40	53	0,71
66.PG070040085	70	40	84	50	65	M74X1.5	22	40	60	1,27
66.PG070050085	70	50	84	50	65	M74X1.5	22	40	60	0,85
66.PG075040090	75	40	89	55	70	M80X2	25	43	65	1,68
66.PG075050090	75	50	89	55	70	M80X2	25	43	65	1,21
66.PG080045095	80	45	94	60	75	M85X2	25	43	70	1,9
66.PG080050095	80	50	94	60	75	M85X2	25	43	70	1,66
66.PG090050110	90	50	109	60	75	M95X2	25	46	80	2,55
66.PG090060110	90	60	109	60	75	M95X2	25	46	80	2
66.PG100050120	100	50	119	60	75	M105X2	25	46	90	3,46
66.PG100060120	100	60	119	60	75	M105X2	25	46	90	2,9
66.PG100063120	100	63	119	60	75	M105X2	25	46	90	2,62
66.PG100070120	100	70	119	60	75	M105X2	25	46	90	2,21

Material: Aço C45