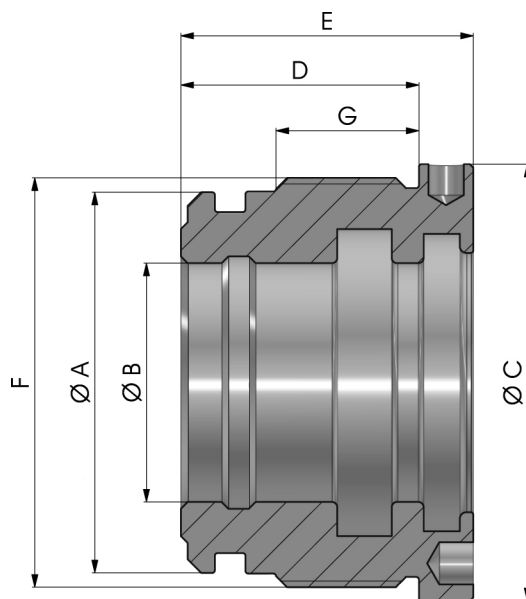


PORCA



CÓD.	A	B	C	D	E	F	G	Kg
66.P025016035	25	16	35	24	30	M28X1.5	13	0,08
66.P030016040	30	16	40	27	33	M34X1.5	14	0,13
66.P032016042	32	16	42	27	33	M36X1.5	15	0,15
66.P035020045	35	20	44	32	40	M39X1.5	19	0,19
66.P040020050	40	20	49	32	40	M44X1.5	19	0,28
66.P040025050	40	25	49	32	40	M44X1.5	19	0,22
66.P045020055	45	20	54	32	40	M49X1.5	19	0,38
66.P045025055	45	25	54	32	40	M49X1.5	19	0,32
66.P050025060	50	25	59	35	43	M54X1.5	22	0,46
66.P050030060	50	30	59	35	43	M54X1.5	22	0,39
66.P050035060	50	35	59	35	43	M54X1.5	22	0,31
66.P055030065	55	30	64	35	43	M60X1.5	21	0,53
66.P055035065	55	35	64	35	43	M60X1.5	21	0,44
66.P060032070	60	32	69	40	50	M64X1.5	27	0,76
66.P060035070	60	35	69	40	50	M64X1.5	27	0,69
66.P060040070	60	40	69	40	50	M64X1.5	27	0,59
66.P063040073	63	40	73	40	50	M68X1.5	25	0,72
66.P065035075	65	35	74	40	50	M69X1.5	25	0,88
66.P065040075	65	40	74	40	50	M69X1.5	25	0,77
66.P065045075	65	45	74	40	50	M69X1.5	25	0,64
66.P070035080	70	35	79	40	50	M74X1.5	27	1,07
66.P070040080	70	40	79	40	50	M74X1.5	27	0,94

Material: Ferro Fundido GG25

66.P070045080	70	45	79	40	50	M74X1.5	27	0,82
66.P070050080	70	50	79	40	50	M74X1.5	27	0,68
66.P075045090	75	45	89	50	60	M80X2	33	1,31
66.P080040092	80	40	92	50	60	M85X2	33	1,7
66.P080050092	80	50	92	50	60	M85X2	33	1,38
66.P080060092	80	60	92	50	60	M85X2	33	0,96
66.P085050100	85	50	99	50	60	M90X2	33	1,67
66.P090050105	90	50	104	50	60	M95X2	33	1,97
66.P090060105	90	60	104	50	60	M95X2	33	1,55
66.P100055115	100	55	114	70	82	M105X2	51	3,4
66.P100060115	100	60	114	70	82	M105X2	51	3,11
66.P100063115	100	63	114	70	82	M105X2	51	2,91
66.P100070115	100	70	114	70	82	M105X2	51	2,44