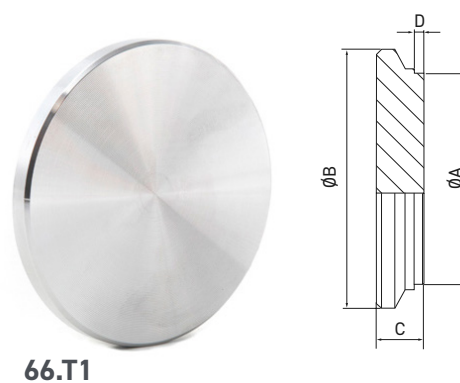


66.TF



66.T1

Material: Aço S35J2R - ASTM A105

CÓD.	A	B	C	D	E	Kg
66.TF025035	25	35	7	2	3.2X3	0,04
66.TF030040	30	40	8	2	4.2X4	0,06
66.TF032042	32	42	8	2	4.2X4	0,07
66.TF035045	35	45	10	2	4.2X5	0,10
66.TF040050	40	50	10	2	4.2X5	0,13
66.TF045055	45	55	10	2	4.2X5	0,16
66.TF050060	50	60	10	2	4.2X5	0,19
66.TF055065	55	65	12	2	4.2X6	0,27
66.TF060070	60	70	12	2	4.2X6	0,32
66.TF063073	63	73	12	2	4.2X6	0,35
66.TF065075	65	75	12	2	4.2X6	0,36
66.TF065080	65	80	12	2	4.2X6	0,40
66.TF070080	70	80	12	2	4.2X6	0,43
66.TF070085	70	85	12	2	4.2X6	0,45
66.TF075090	75	90	12	2	4.2X6	0,51
66.TF080090	80	90	12	2	4.2X6	0,54
66.TF080092	80	92	12	2	4.2X6	0,56
66.TF080095	80	95	12	2	4.2X6	0,57
66.TF085100	85	100	15	2	4.2X6	0,82
66.TF090105	90	105	15	2	4.2X6	0,91
66.TF100115	100	115	15	2	4.2X6	1,10
CÓD.	A	B	C	D	E	Kg
66.T110125	110	125	15	2	-	1,30
66.T110130	110	130	15	2	-	1,37
66.T120140	120	140	18	2	-	1,95
66.T125145	125	145	18	2	-	2,10
66.T140160	140	160	18	2	-	2,57
66.T150170	150	170	20	2	-	3,27