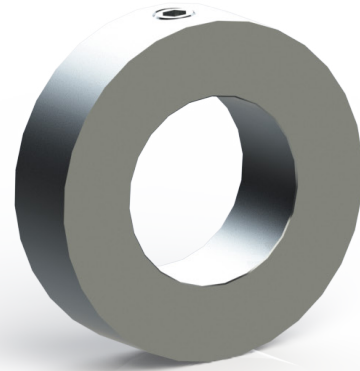
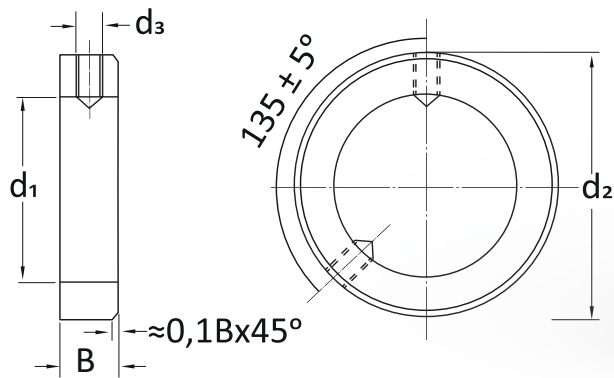


Materiais: Inox AISI 420

Norma: DIN 705

| Código | d1 | d2 | B | d3 |
|--------|-----|----|----|------|
| AP5 | 5 | 10 | 6 | M 3 |
| AP5,5 | 5.5 | 12 | 6 | M 4 |
| AP6 | 6 | 12 | 8 | M 4 |
| AP7 | 7 | 12 | 8 | M 4 |
| AP8 | 8 | 16 | 8 | M 4 |
| AP9 | 9 | 16 | 8 | M 5 |
| AP10 | 10 | 20 | 10 | M 5 |
| AP11 | 11 | 20 | 10 | M 5 |
| AP12 | 12 | 22 | 12 | M 6 |
| AP13 | 13 | 22 | 12 | M 6 |
| AP14 | 14 | 25 | 12 | M 6 |
| AP15 | 15 | 25 | 12 | M 6 |
| AP16 | 16 | 28 | 12 | M 6 |
| AP18 | 18 | 32 | 14 | M 6 |
| AP20 | 20 | 32 | 14 | M 6 |
| AP22 | 22 | 36 | 14 | M 6 |
| AP24 | 24 | 40 | 16 | M 8 |
| AP25 | 25 | 40 | 16 | M 8 |
| AP26 | 26 | 40 | 16 | M 8 |
| AP28 | 28 | 45 | 16 | M 8 |
| AP30 | 30 | 45 | 16 | M 8 |
| AP32 | 32 | 50 | 16 | M 8 |
| AP34 | 34 | 50 | 16 | M 8 |
| AP35 | 35 | 56 | 16 | M 8 |
| AP36 | 36 | 56 | 16 | M 8 |
| AP38 | 38 | 56 | 16 | M 8 |
| AP40 | 40 | 63 | 18 | M 10 |
| AP45 | 45 | 70 | 18 | M 10 |



| Código | d1 | d2 | B | d3 |
|--------|-----|-----|----|------|
| AP50 | 50 | 80 | 18 | M 10 |
| AP55 | 55 | 80 | 18 | M 10 |
| AP56 | 56 | 80 | 18 | M 10 |
| AP60 | 60 | 90 | 20 | M 10 |
| AP63 | 63 | 90 | 20 | M 10 |
| AP65 | 65 | 100 | 20 | M 10 |
| AP70 | 70 | 100 | 20 | M 10 |
| AP75 | 75 | 110 | 22 | M 12 |
| AP80 | 80 | 110 | 22 | M 12 |
| AP85 | 85 | 125 | 22 | M 12 |
| AP90 | 90 | 125 | 22 | M 12 |
| AP100 | 100 | 140 | 25 | M 12 |
| AP110 | 110 | 160 | 25 | M 12 |
| AP120 | 120 | 160 | 25 | M 12 |
| AP125 | 125 | 180 | 28 | M 16 |
| AP140 | 140 | 200 | 28 | M 16 |
| AP150 | 150 | 200 | 28 | M 16 |
| AP160 | 160 | 220 | 32 | M 20 |
| AP180 | 180 | 250 | 32 | M 20 |
| AP200 | 200 | 280 | 32 | M 20 |